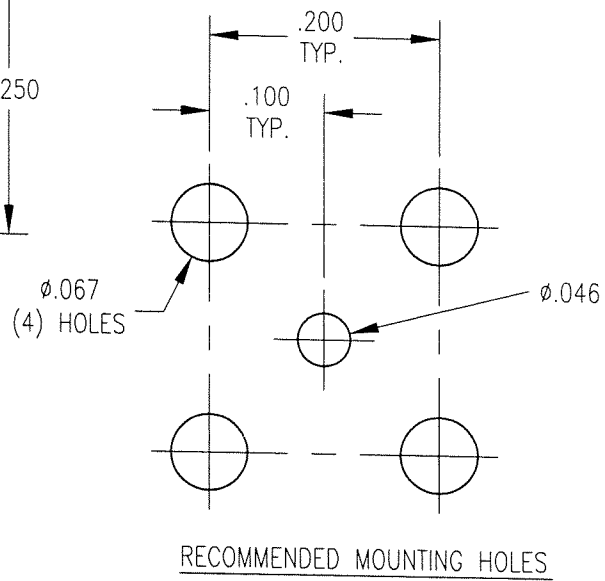
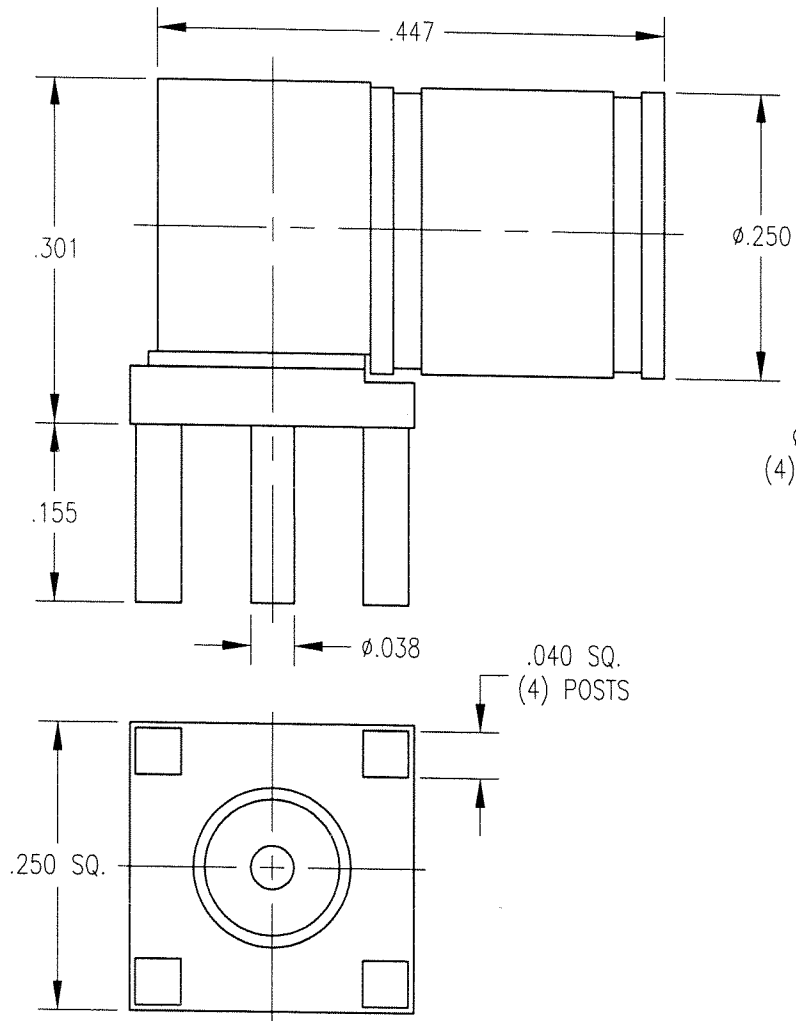


DWG. NO. 512-060-0040J

REV	DESCRIPTION	BY DATE	APPD
E	ECR 6848	10/8/01 M.J.F.	



NOTES:

- MATERIALS:
 CONTACT: COPPER ALLOY
 INSULATORS: TEFLON PER ASTM D1710
 SPRING RINGS: BERYLLIUM COPPER PER ASTM B194
 ALL OTHER METAL PARTS: BRASS PER ASTM B16
- FINISHES:
 BODY: .000015 MIN. GOLD PER MIL-G-45204 OVER
 .000100 MIN. COPPER PER MIL-C-14550
 CONTACT: .000030 MIN. GOLD PER MIL-G-45204 OVER
 .000100 MIN. COPPER PER MIL-C-14550

PER ASME Y14.5M-1994 UNLESS OTHERWISE SPECIFIED: DIMENSIONS ARE IN INCHES (MM)		Litton	
TOLERANCES: DECIMALS .xx ± .01/0.254 xxx ± .005/0.127 ANGLES ± 2' SCALE: 6:1		Winchester/Retconn 400 Park Road Wolcott, Connecticut 06795	
CUSTOMER DRAWING		TITLE RIGHT ANGLE SMB PLUG PC MOUNT	
DRAWN M.J.F.	DATE 5/18/01	CHECKED [Signature]	DATE
APPROVED [Signature]	DATE	APPROVED [Signature]	DATE
A		512-060-0040J	SHT. 1 OF 1 REV. F